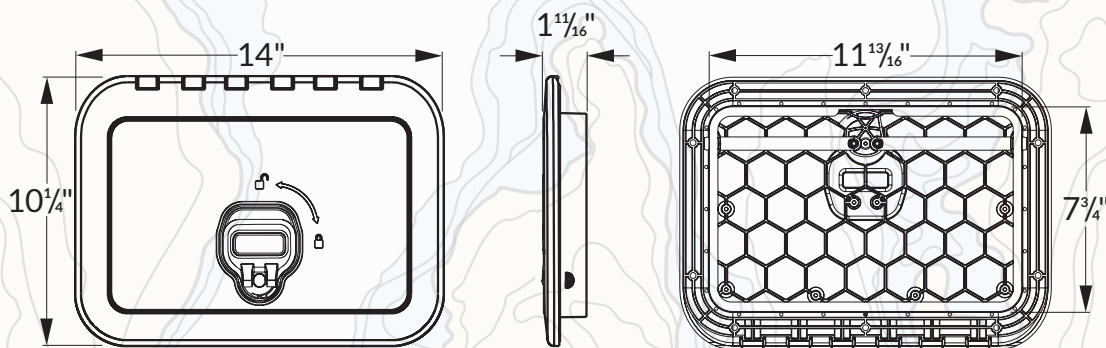


TRIPLE LATCH HATCH



336520-3 (White)
336525-3 (Black)



FEATURES

- Three locking points which cause the camming surface to pull the lid into the gasket creating a watertight seal
- Non-slip textured surface
- Can be mounted horizontally or vertically
- Full length piano hinge for added strength and security
- Interior opening is 11-1/8" X 7" and will accept group 24 series size batteries
- Constructed of injection molded polypropylene with a structural honeycomb lid for superior rigidity and strength

