

**1** Attach feet to base of lower pole

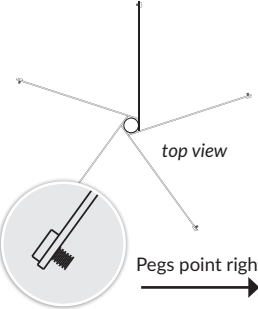


A. Align two adjacent and overlapping feet to holes in lower base of pole and insert bolts.

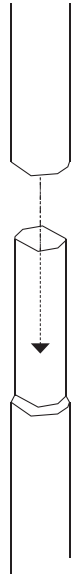


B. Align remaining feet to opposite side of pole and fasten using **kep nuts**.

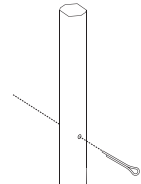
**2** Place a spider over center pole



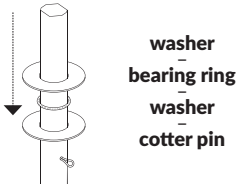
**3** Place upper pole over lower pole



**4** Insert cotter pin through hole in upper pole



**5** Place [washer / bearing ring / washer] over pole to rest on cotter pin



**6** Place second spider over top of center pole to rest on washer



**7** Fasten upper v-channels to lower v-channels



Upper

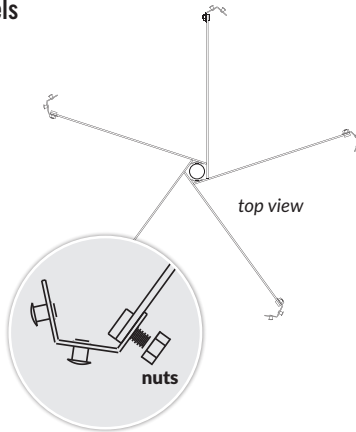
V-Channel Bolt

Lower

**8** Fasten all V-channels to top spider



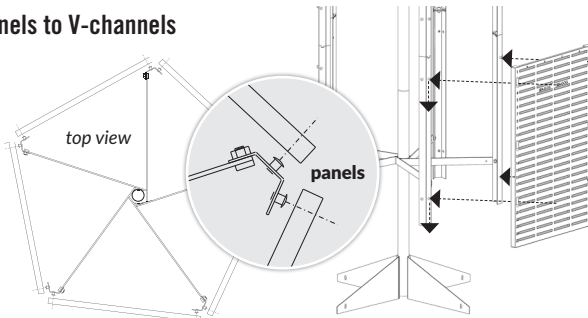
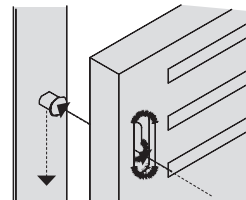
Fasten using regular **nuts**



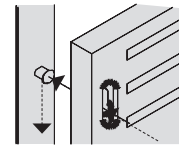
**9** Fasten all V-channels to bottom spider



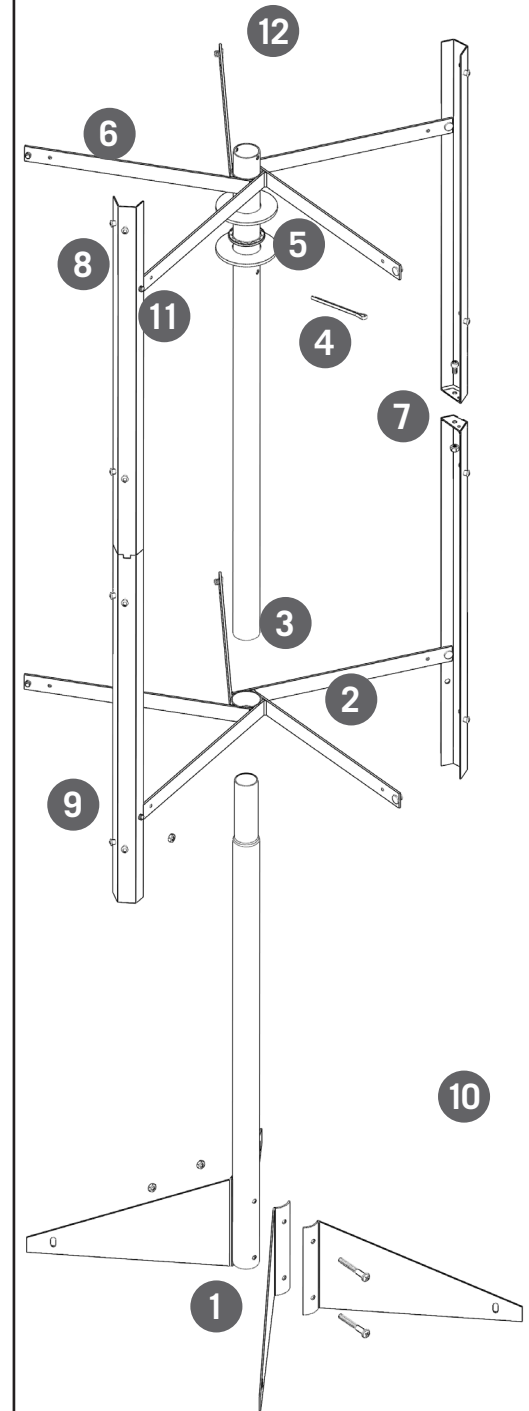
**10** Attach 5 bottom panels to V-channels



**11** Repeat step 10 for 5 top panels

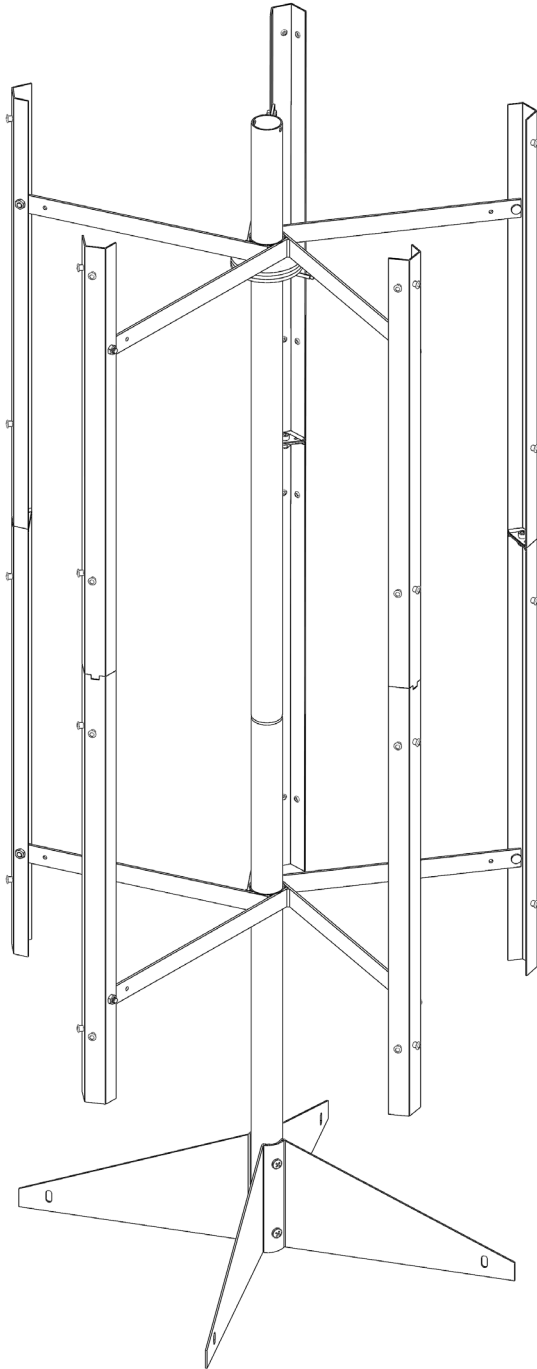


**12** Attach signage to spinner





# Sea-Dog Spinner Assembly Instructions



(Assembled spinner before merchandising panels are attached.)

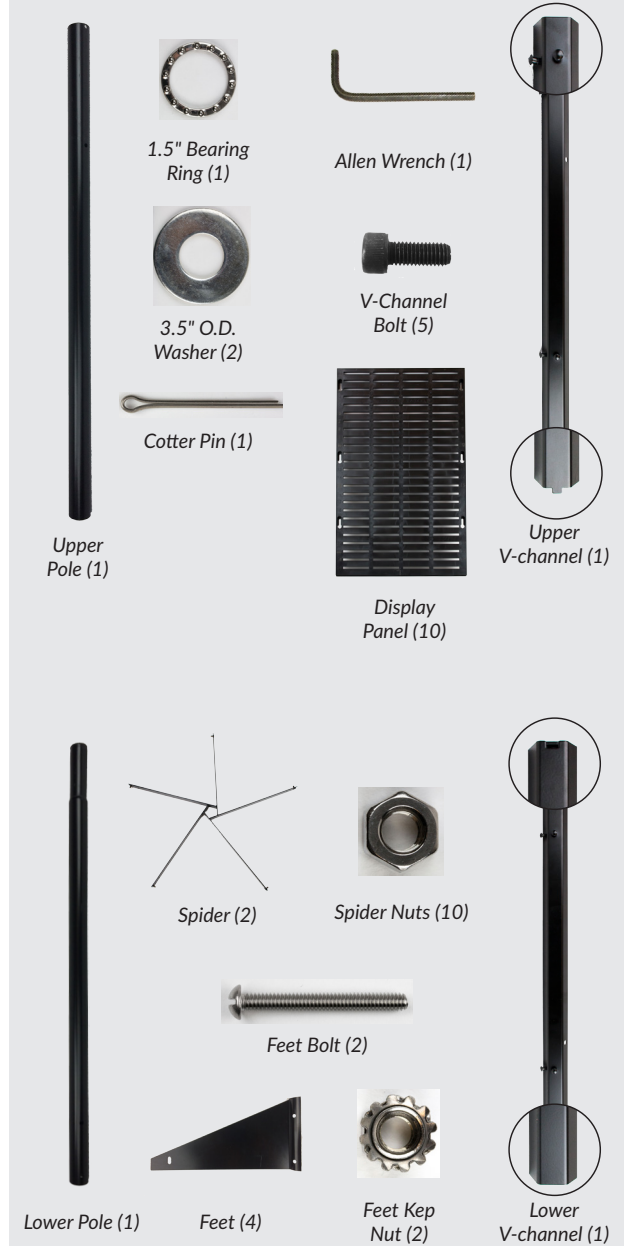


P.O. Box 479  
Everett, WA 98206

1-866-732-3641

WWW.SEA-DOG.COM

## CONTENTS



## TOOLS NEEDED



Wrench