

## Installation & Operation Instructions



### Deluxe Spot & Flood Light 405620-3

To avoid the risk of accidents or damage to this product, it is essential to read these instructions thoroughly before this product is installed and used.

# Contents

---

|  |   |
|--|---|
| Product Features.....                    | 2 |
| Specifications.....                      | 2 |
| Installation.....                        | 3 |
| Spot Light Installation.....             | 3 |
| Diagrams.....                            | 4 |
| Joystick Control Panel Installation..... | 5 |
| Operation.....                           | 6 |
| Joystick Operation.....                  | 6 |
| Caution.....                             | 7 |
| Maintenance.....                         | 7 |
| Troubleshooting.....                     | 8 |
| Warranty Info.....                       | 9 |

## Product Features

---

- ✪ Certified in compliance with IEC 60598-2-5:1998 (safety), EN 55015 + EN 61547 (CE), EN 01 489-1/-3 + EN 300 440-2 (RF), EN 60945 (marine), and IP67 (protection).
- ✪ Two light modes: spot light and flood light.
- ✪ 355° dual speed horizontal rotation, 50° vertical range.
- ✪ Remote models can use multiple remote controls
- ✪ Reliable digital remote control signal and resistant to interference.
- ✪ Uses RJ11 telephone line. Simple connection compared to traditional wire harness.
- ✪ Cast aluminum body with corrosion-resistant coating.
- ✪ Completely sealed and waterproof.
- ✪ 12 Volts DC

## Specifications

---

|                  |  |
|------------------|--|
| Material         | Aluminum body, glass front cover                           |
| Light Source     | Halogen H4 light bulb (100/90 Watts)                       |
| Light Coverage   | 0.25 Lux @ 849 m   |
| Light Mode       | Spot light, flood light                                    |
| Rotation         | 355° horizontal (dual speed), 50° vertical, jam protection |
| Power Cable      | 5 ft   |
| Power Supply     | 12 V DC  |
| Size L x W x H   | 8 x 8 x 10 inches  |
| Weight           | 3.8 kg / 8.5 lbs   |
| Control          | Joystick control, 2.4GHz remote control                    |
| Panel Connection | RJ11 6P4C Pin 1-1 straight through, 15 ft / 25 ft / 35 ft  |

### Controls Available Separately

A 12V Powered wireless remote is available (sold separately) for use as a second station control.

Please see our website [www.sea-dog.com](http://www.sea-dog.com) for more details.

# Installation

---

## Tools Needed for Installation

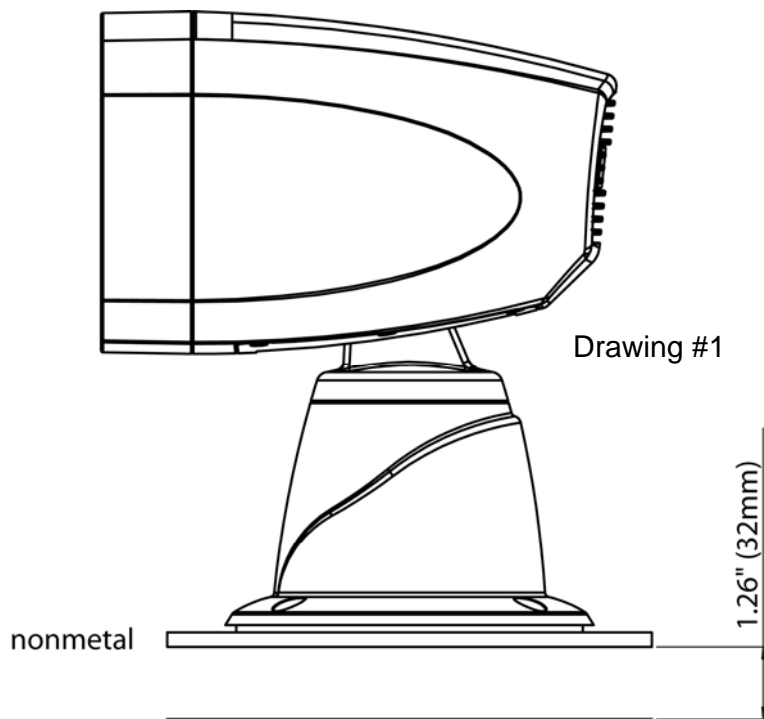
- Electric drill
- 1" hole saw or drill bit
- Jigsaw or small keyhole saw
- Phillips head screwdriver
- Crimping/cutting tool

## User Supplied Items

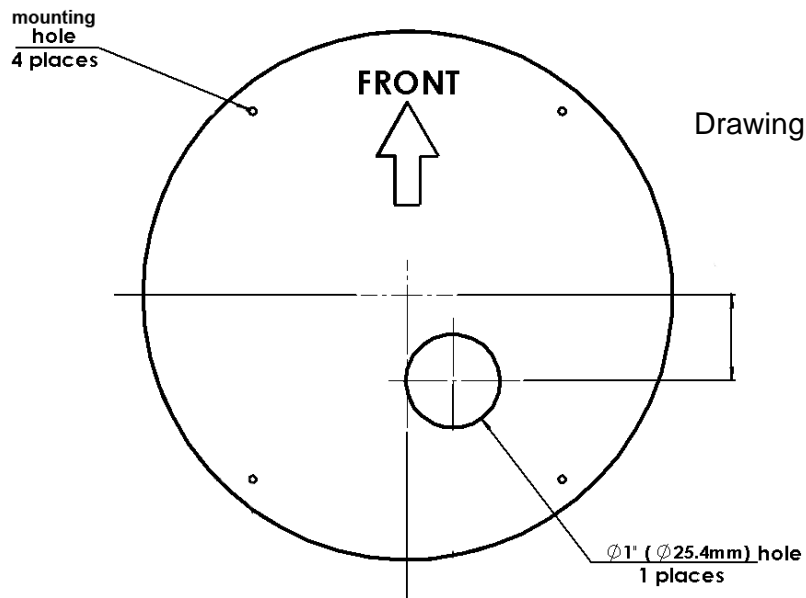
- Four (4) ¼" screws or bolts/nuts
- 10A fuse and fuse holder
- Two (2) #8 self-tapping screws
- Two (2) 10 – 12 gauge butt connectors
- 12 gauge wire in needed length less than 30 ft. and 10 gauge wire for longer runs

## Spot Light Installation

1. The spotlight should be installed on a flat, level, non-metallic surface.  
**NOTE:** If the spotlight is installed on a metallic surface, there must be 1-1/4" clearance between the spotlight and the metal surface in order to allow the operation of the wireless remote control (not included and sold separately, part number 405683-1).  
See drawing #1 on page 4.
2. Use the foam gasket to mark the spotlight mounting holes and wiring access hole - 1"/25.4mm diameter – and drill the wiring access hole. See drawing #2 on page 4.
3. Connect the RJ11 joystick control panel phone cable to the base of the spotlight and route the power wires and the joystick control panel cable through the wiring access hole in the gasket and the deck.
4. Ensure that the foam gasket is properly seated and fasten the spotlight to the surface using four ¼" self-tapping screws or four ¼" bolts and nuts.



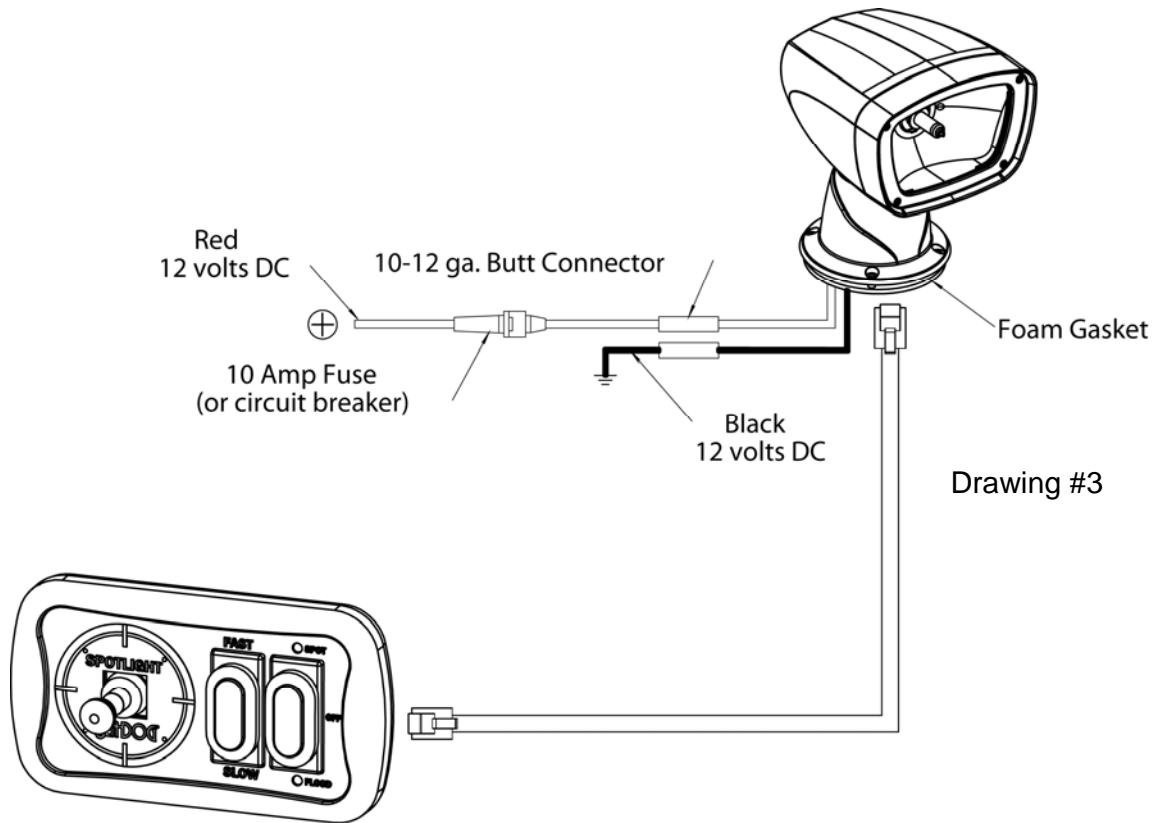
- ! Do not mount directly onto metal surface; remote control will not work.
- ! Provide at least 1-1/4 inch (32 mm) clearance underneath the mounting surface to allow reception of remote signal. Remote control may not work if clearance is insufficient.



## Wiring

1. Use 12 gauge wire for distances up to 30 feet (9 meters) and 10 gauge wire for longer runs.
2. Use a 10A fuse and fuse holder or circuit breaker connected to the positive terminal. See drawing #3 below.

**NOTE:** The power switch on the joystick panel should be in the off position before supplying power to the spotlight.



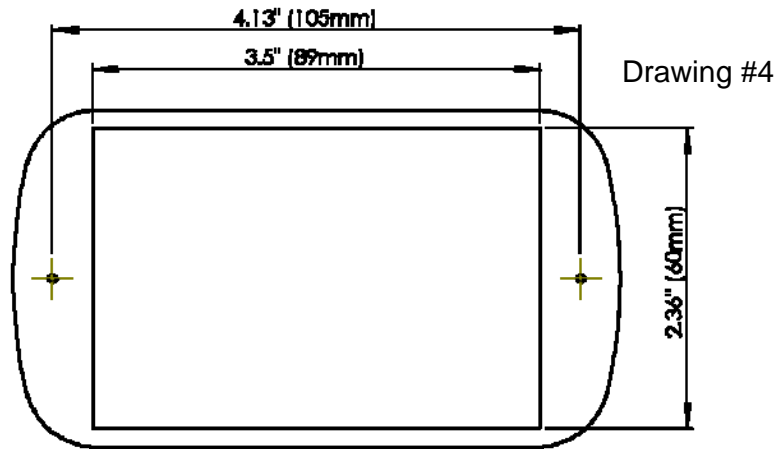
## Joystick Control Panel Installation

1. The joystick control panel should be installed on a flat surface. The panel is watertight and moisture resistant, but should be installed in a protected location to allow proper operation.
2. Use the foam gasket to mark the mounting holes and rectangular hole (3-1/2" x 2-3/8") for the panel and cut out the hole. See drawing #4 on page 6.
3. Pull the RJ11 phone line cable from the spotlight through the mounting hole and connect it to the panel.
4. Remove the frame/cover from the panel, remove the clear protective coating, and fit panel into the rectangular hole. Secure the control panel with two #8 self-tapping

screws or two #8 bolts and nuts and replace the frame/cover.

**NOTE:** The vertical and horizontal movements of the spotlight are controlled by the joystick.

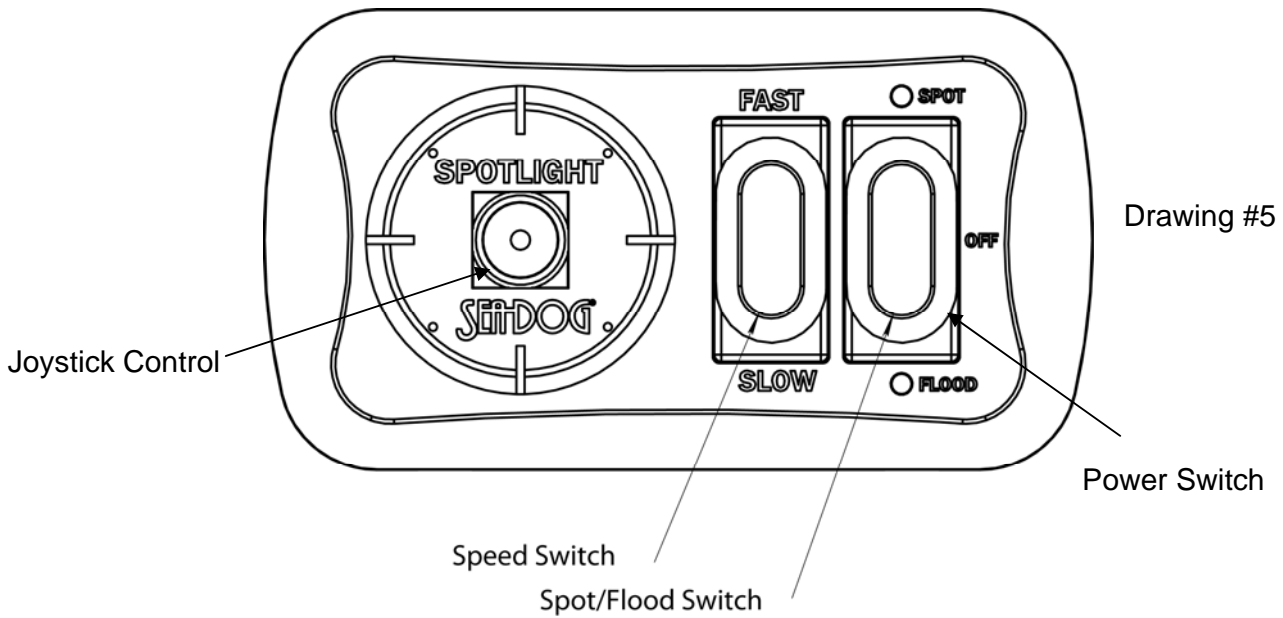
The speed switch is for the horizontal rotation only. See drawing #5.



## Operation

### Joystick Control

1. The control of spot light by joystick is straightforward. The vertical movement is controlled by moving the joystick forward and back. The horizontal movement is controlled by moving the joystick left and right.
2. The speed switch is for horizontal rotation only. See drawing #5 below.



## Caution

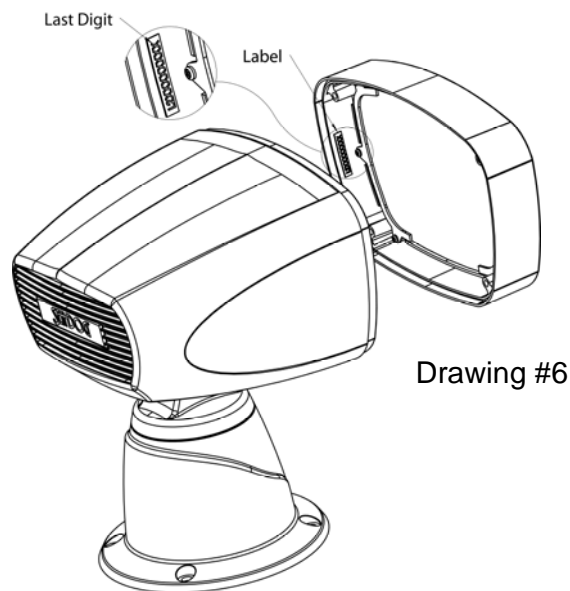
---

1. Do not try to move the spotlight head beyond its normal horizontal or vertical range as it will damage the spotlight.
2. Do not look directly into the spotlight when the light is turned on.
3. Given that the spotlight is powder-coated aluminum and is waterproof, it is recommended that a cover **NOT** be used with this light. If a cover must be used, be careful that the light it is not accidentally turned on because the heat build-up may result in a fire.

## Maintenance

---

1. Use a diluted mild liquid cleaner or cleanser for general cleaning – do not use harsh chemicals or strong abrasives cleaners.
2. All moving parts are sealed and lubricated during production – no additional lubrication is needed.



### Serial Number Location

The individual product serial number is located on the lower left side of the spotlight frame, this is visible when the frame is removed. See drawing #6 above. The serial number is also on the box.



## **Troubleshooting**

**Installation work and repairs to electrical components of this product must only be carried out by a suitably qualified and competent person in accordance with current local and national safety regulations. Repairs and other work by unqualified persons could be dangerous. The manufacturer cannot be held liable for unauthorized work.**

### **What to do if ...**

#### **... the spot light does not respond to remote control.**

- Press and hold button for 2 seconds.
- Move to a location that is less than 15 m away.
- Move to a location that has no obstructing structure between remote control and spot light.
- Make sure the light is not mounted on any metal surface and there is sufficient clearance below.
- Replace battery for remote control.
- Check whether the last digits of serial numbers inside light housing and inside remote control are identical.

#### **... the light cannot be turned on.**

- Secure light bulb.
- Replace light bulb.
- Check if correct type of telephone line (RJ11 6P4C Pin 1-1 straight through) is used.

#### **... the spot mode or flood mode does not function.**

- Replace light bulb.

#### **... the spot light does not respond to any control.**

- Check voltage of inboard battery.
- Check the fuse or circuit breaker that protects spot light and joystick control panel.
- Carefully uninstall the spot light. Examine the electrical connections and wire harness.
- Check if correct type of telephone line (RJ11 6P4C Pin 1-1 straight through) is used.
- ❗ Do not replace a blown fuse until the cause of spot light malfunction is identified and resolved.
- ❗ DO NOT replace a blown fuse with a fuse that takes higher current.

#### **... the spot light halt during operation.**

- Return spot light and joystick control panel to dealer for further inspection.

#### **... the spot light cannot rotate in certain direction.**

- Carefully uninstall the spot light and examine the electrical connections and wire harness.
- Replace joystick control panel.

**... the brightness of the light significantly decayed.**

- Replace light bulb.

**For other problems, and when problem is not solved with the above tips ...**

Return complete product with proper packaging to dealer for inspection. Include a description of the problem, user contact information, and proof of purchase if requesting warranty service.

## **Limited Warranty**

---

### Sea-Dog LIMITED FIVE YEAR WARRANTY

SEA-DOG warrants that this product manufactured by SEA-DOG is free from defects in workmanship or materials for a period of 5 years from the date of purchase. No other express warranty is given and no affirmation of SEA-DOG, by words or action, will constitute a warranty. This warranty does not apply to any defects caused by negligence, misuse, or accidents, improper installation, or use in violation of the accompanying instructions and intended purpose. During warranty period, defects will be repaired or the defective product will be replaced, at SEA-DOG's option, without charge.

The buyer must notify SEA-DOG of any defect, malfunction, or nonconformity within thirty (30) days after discovery of such defect, malfunction, or nonconformity.

SEA-DOG's maximum liability shall not, in any case, exceed the contract price for the product claimed to be defective or unsuitable. Any and all implied warranties are limited to the duration of this Limited Warranty, which is 5 years from the date of the purchase. Some States do not allow the exclusion or limitation of implied warranties or consequential or incidental damages, so the above limitations or exclusions may not apply to you. This warranty gives you specific rights, and you may also have rights that vary from State to State.

Date Purchased \_\_\_\_\_

Serial Number \_\_\_\_\_