

**Sea-Dog Line Navigation Lights**  
**Model Numbers: 400001, 400002, 400003, 400005 and 400020**  
**Installation Instructions**

Sea-Dog Part #	Description	Replacement Bulb	NMMA Code#
400001	Masthead Light	Philips # 1 2410 (10 Watt)	748300
400002	Stern Light	Philips # 1 2410 (10 Watt)	748400
400003	Side Light, Port (Red Lens)	Philips # 1 2410 (10 Watt)	748200
400004	Side Light, Starboard (Green Lens)	Philips # 1 2410 (10 Watt)	748201
400005	Combination Bow Light	Philips # 1 2410 (10 Watt)	748100
400020	All-Round Light	Philips # 1 2866 (10 Watt)	748500

These lights meet the American Boating And Yacht Council (ABYC) Standard A-16 lighting requirements for boats less than 12 meters (39.4 feet), and are listed under NMMA Codes as shown above.

Ensure that light output is not restricted through any obstruction and that light cannot shift on its mount when in operation. Light must be installed so horizontal operating plane of the light is parallel to the waterline of the craft.

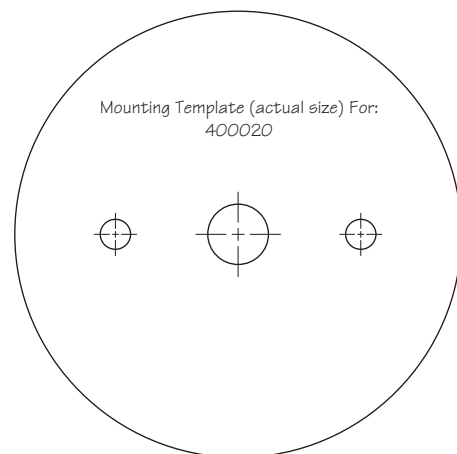
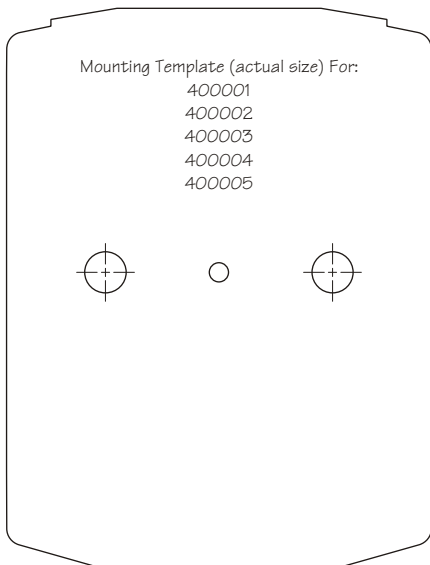
Before installation, check that wires and mounting fasteners for light do not interfere with any obstruction behind intended mounting location.

**Installation:**

1. Press the disc on the bottom of the light housing toward inside of light to detach housing from back. (Rotate the clear lens counterclockwise to remove from base on part # 400020.)
2. Drill Holes of appropriate size in mounting surface for routing of wires and installation fasteners.
3. Make electrical connections:
  - Grey wire is to be connected to 12 volt positive (+)
  - Black wire is to be connected to ground (-)
  - The circuit must be protected by a suitable fuse or circuit breaker.
4. Route wires through the hole drilled in mounting surface.
5. Apply a suitable marine sealant to the deck mounting area and install mounting screws through two holes in the back. (through the base on part # 400020.)
6. Assemble the housing to the back (clear lens to base on part # 400020) in reverse order of removal, making sure that rubber gasket is in place to provide positive moisture seal.
7. Test for proper function of light by activating appropriate switch to complete circuit.

**Maintenance:**

These lights are manufactured from injection molded polycarbonate and stamped marine grade stainless steel. The lens may be cleaned occasionally with a soft towel and a cleaner suitable for polycarbonate. Aggressive abrasive cleanser should not be used.

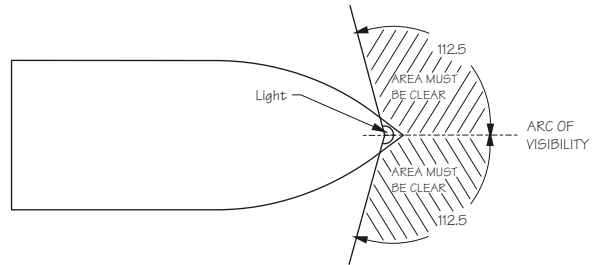
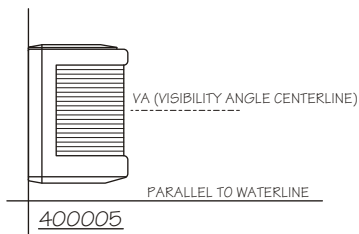
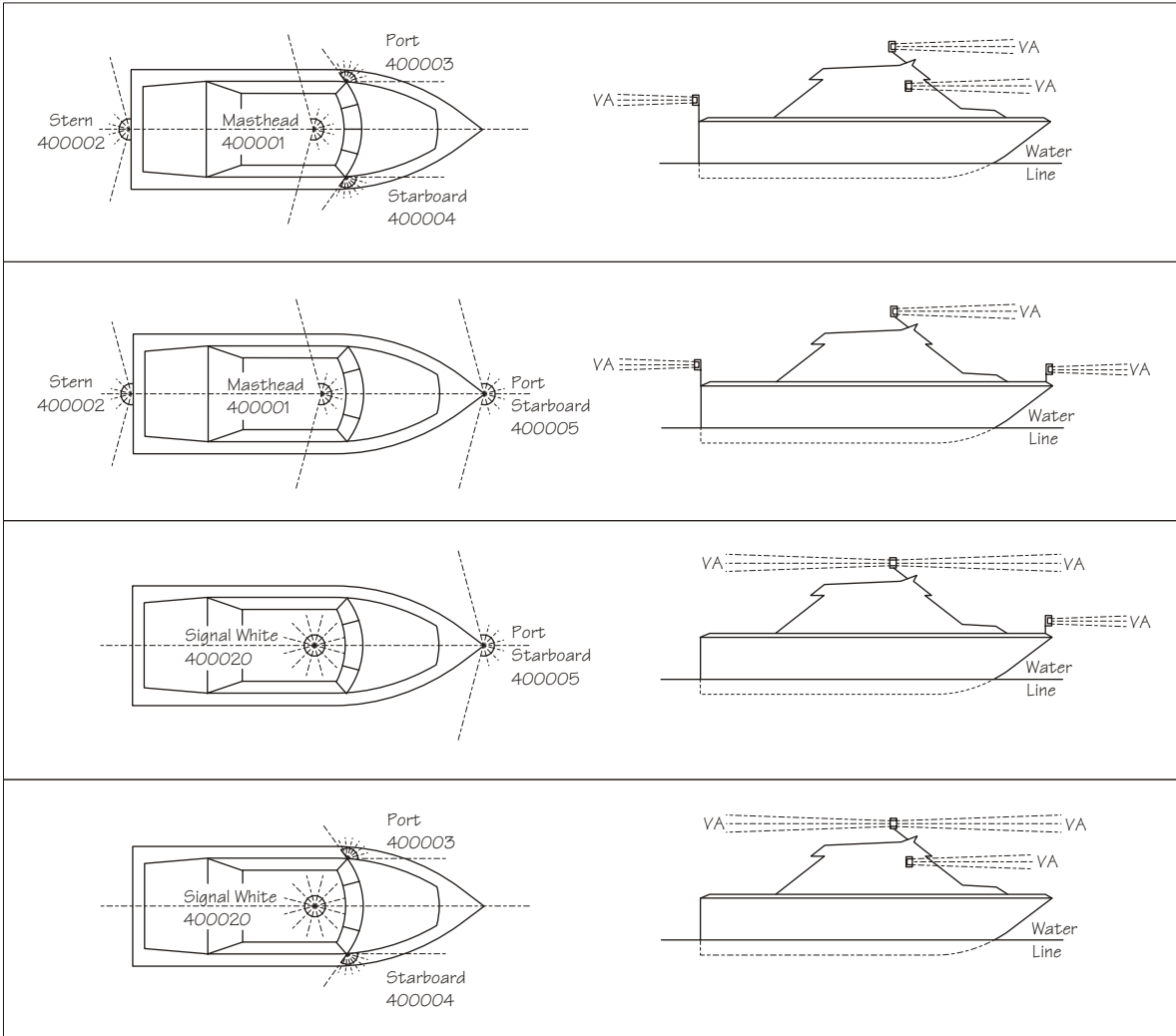


#D400001/#D400002/#D400003/#D400004/#D400005/#D400020

# General Mounting Instructions

Lights must be mounted in and above the keel line respectively parallel to it.

Their horizontal plane must be parallel to the "in water" level. The light output must not be reduced through obstructions in any way. Lights in operation should not shift.



## Location for 400005

- 1) Locate at furthestmost tip of the bow on the centerline of the boat.
- 2) Ensure that there are no front or side obstructions, such as rail stanchions, chocks, anchors, etc., in the arc of visibility (112.5 degrees each side).

#D400001/#D400002/#D400003/#D400004/#D400005/#D400020