

LED ROUND MIRROR LIGHT

BUILT-IN TOUCH ON/DIM/OFF SWITCH

401835-3

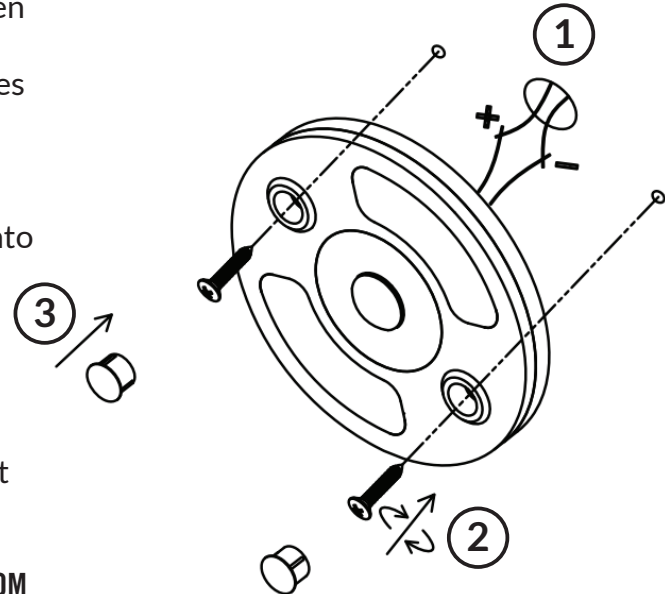
SEADOG[®]LINE
QUALITY MARINE GEAR

Assembly Instructions

1. Connect the positive and negative power wires and test the light to make sure everything is working. Then thread the power wires through the hole.
2. Using the light as a template, mark the mounting holes and drill a 1/16" hole for each of the fastener. Using the three #6 FH fasteners (included), affix light to surface.
3. Insert fastener covers until they firmly until it click into place.

How To Use

Touch the center button to switch between blue, white, and off. Continue to touch button to activate dimmer. When turning on and off, the light will remember the last brightness setting you selected.



SEA-DOG.COM