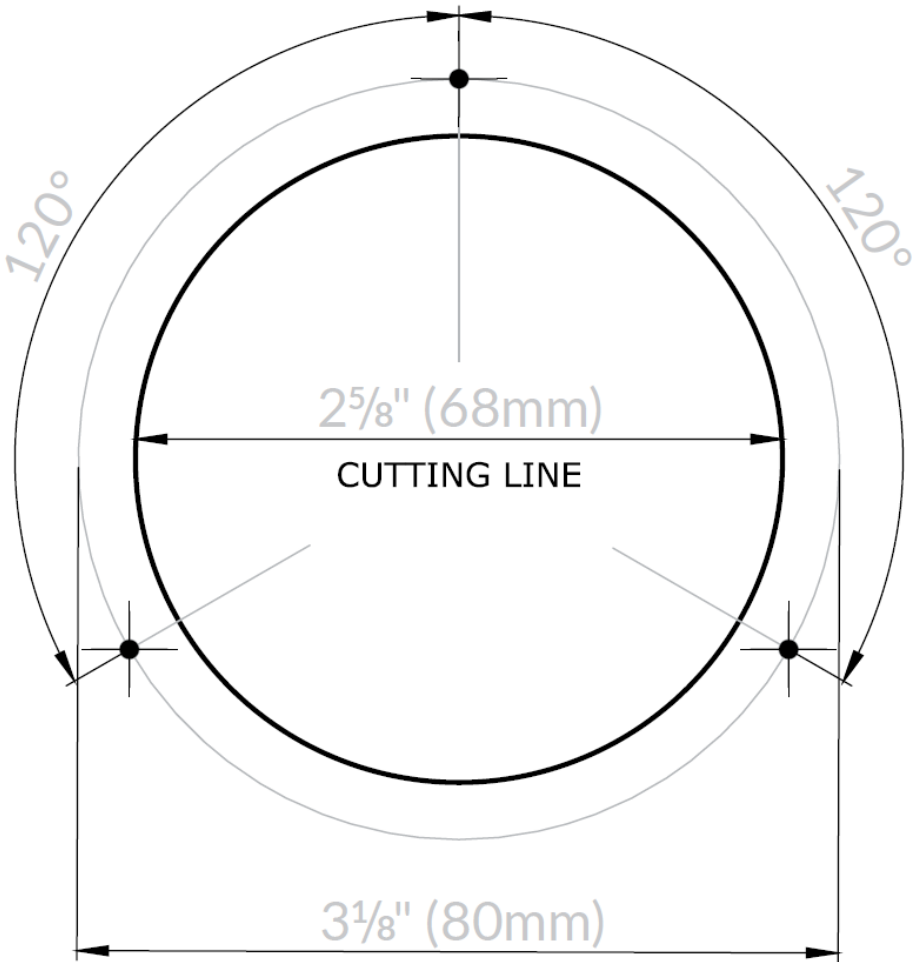


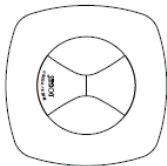
INSTALLATION TEMPLATE



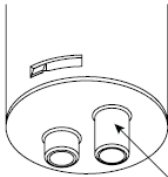
Drain hose connector

$\varnothing \frac{9}{16}''$

$3\frac{15}{16}''$



Top view



Bottom view

